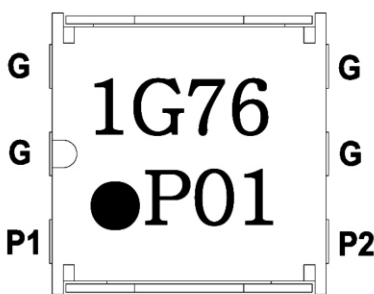
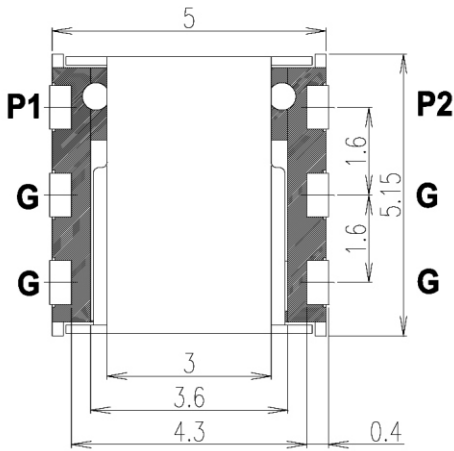


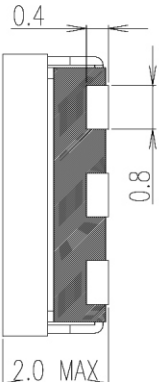
SMD ISOLATOR

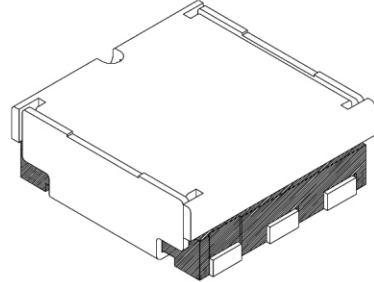
[ P/N : IL05AL(R)1765AAE ]



**P1,P2** : IN/OUT Port  
**G** : Ground  
**1G76** : 1765MHz[fc]  
**●P01** :  
**●P01** L type [signal flow direction P1 → P2]  
**P01●** R type [signal flow direction P2 → P1]  
 [or left side dot is L type, right side dot is R type]  
**P** Partron co., Ltd.  
**0** Year [2010]  
**1** Month [January]  
 (Oct,Nov,Dec denoted as **O,N,D** )







Scale : N/S  
 Unit : mm  
 Tolerance : ±0.2

ELECTRICAL SPECIFICATION	
Frequency Range	1750 ~ 1780 MHz
Operating Temp.	-35 ~ +85 ℃
Insertion Loss	0.6 dB max.
Isolation	15 dB min.
VSWR	1.5 max.
Forward Power	10 W max.
Reverse Power	2 W max.

PART NUMBERING
<b>IL 05 A L(R) 1765 AA E</b>
IL : Isolator Group
05 : Size [5*5*2.0t]
A : Fabrication condition
L(R) : Signal direction
1765 : Center frequency [1765MHz]
AA : Fabrication condition
E : Embossed plastic reel
* RoHS Compliant(Lead Free)
- Ver 2.0 (2012.01.02.)