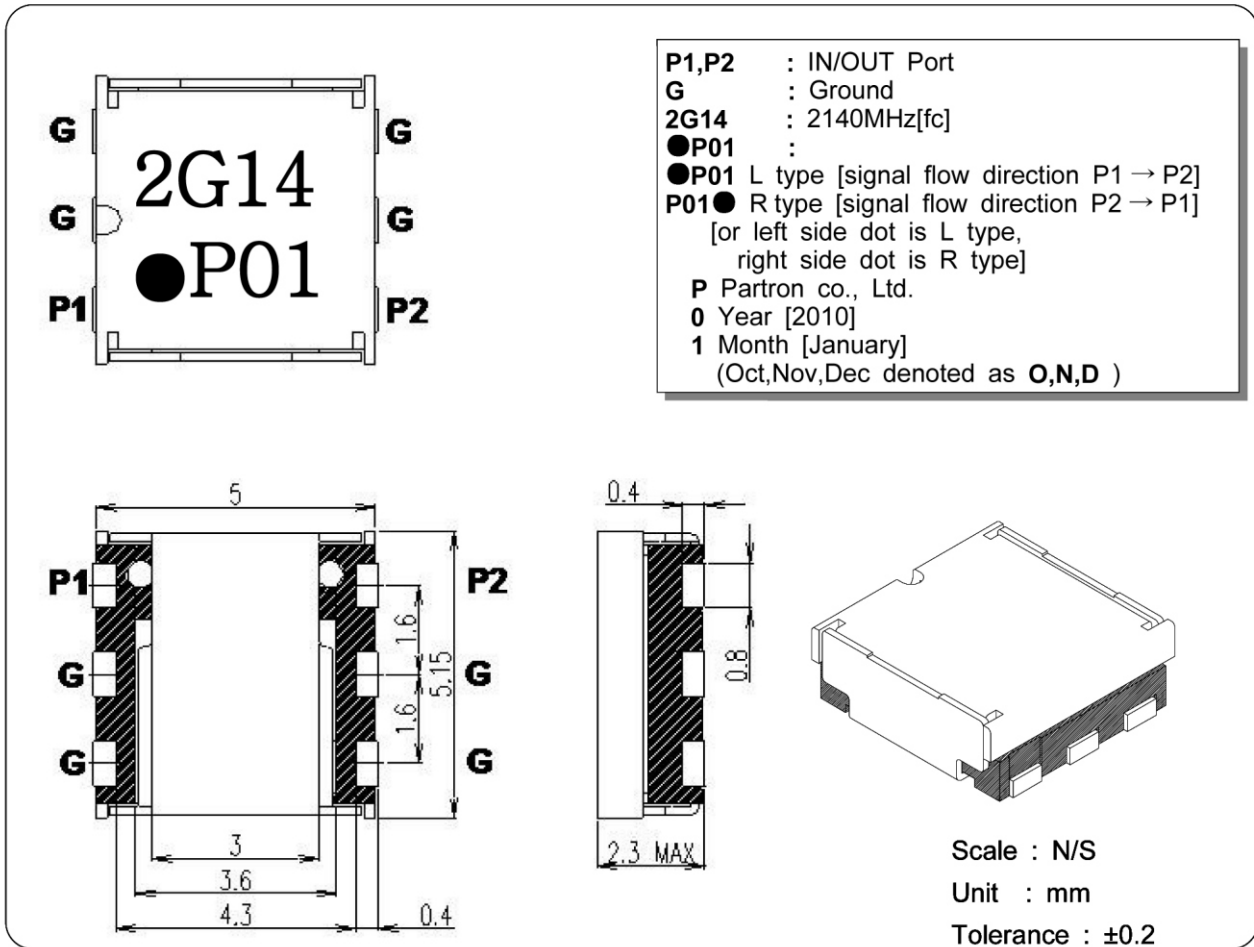


SMD ISOLATOR

[ P/N : IL05AL(R)2140AAE ]



ELECTRICAL SPECIFICATION	
Frequency Range	2110 ~ 2170 MHz
Operating Temp.	-35 ~ +85 °C
Insertion Loss	0.6 dB max.
Isolation	15 dB min.
VSWR	1.5 max.
Forward Power	10 W max.
Reverse Power	2 W max.

PART NUMBERING	
<b>IL 05 A L(R) 2140 AA E</b>	
IL	: Isolator Group
05	: Size [5*5*2.3t]
A	: Fabrication condition
L(R)	: Signal direction
2140	: Center frequency [2140MHz]
AA	: Fabrication condition
E	: Embossed plastic reel
* RoHS Compliant(Lead Free)	
- Ver 2.0 (2012.01.02.)	