


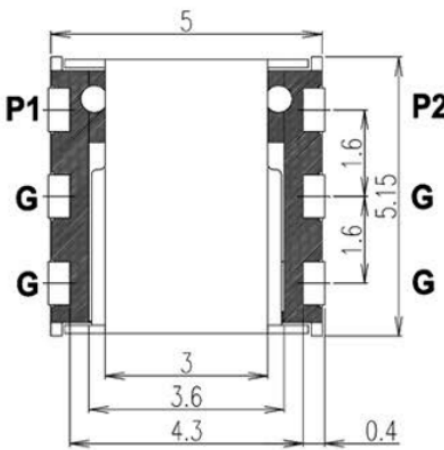
SMD ISOLATOR

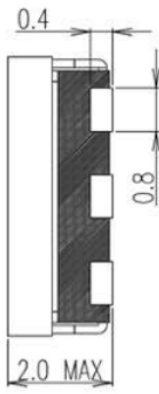
[P/N : IL05AL(R)1747ABE]

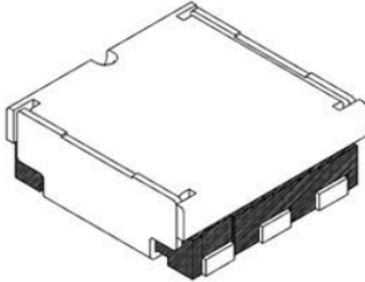


P1,P2 : IN/OUT Port
G : Ground
1747 : 1747.5MHz[fc]
●P01 :
●P01 L type [signal flow direction P1 → P2]
P01● R type [signal flow direction P2 → P1]
 [or left side dot is L type,
 right side dot is R type]

0 Year [2010]
1 Month [January]
 (Oct,Nov,Dec denoted as **O,N,D**)







Scale : N/S
 Unit : mm
 Tolerance : ±0.2

ELECTRICAL SPECIFICATION	
Frequency Range	1710 ~ 1785 MHz
Operating Temp.	-35 ~ +85 °C
Insertion Loss	0.7 dB max.
Isolation	13 dB min.
VSWR	1.5 max.
Forward Power	5 W max.
Reverse Power	1 W max.

PART NUMBERING	
IL 05 A L(R) 1747 AB E	
IL	: Isolator Group
05	: Size [5*5*2.0t]
A	: Fabrication condition
L(R)	: Signal direction
1747	: Center frequency [1747.5MHz]
AB	: Fabrication condition
E	: Embossed plastic reel
* RoHS Compliant(Lead Free)	