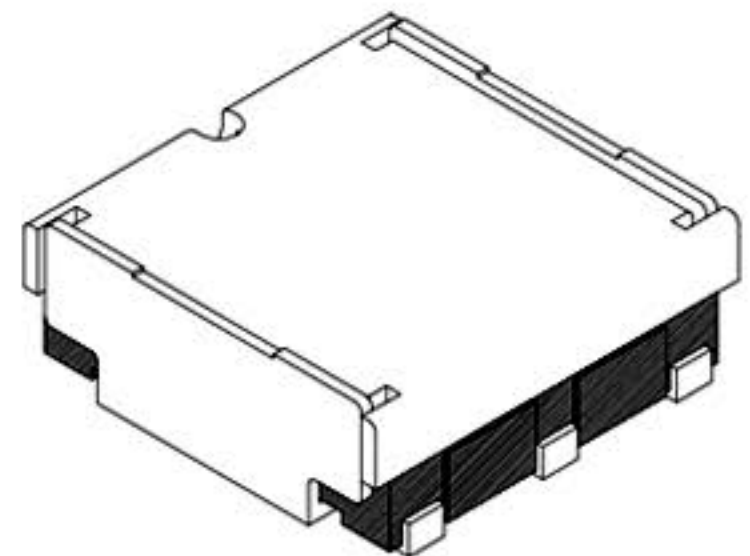
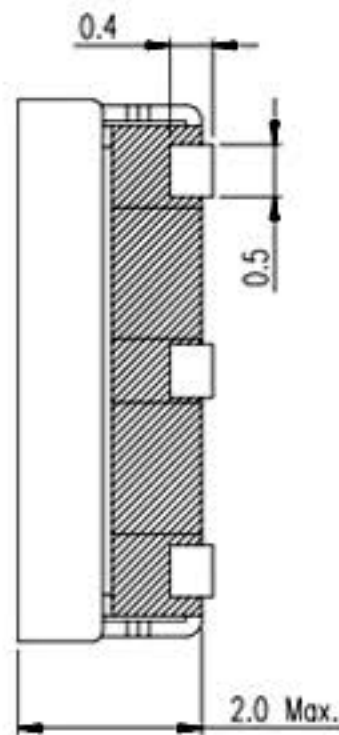
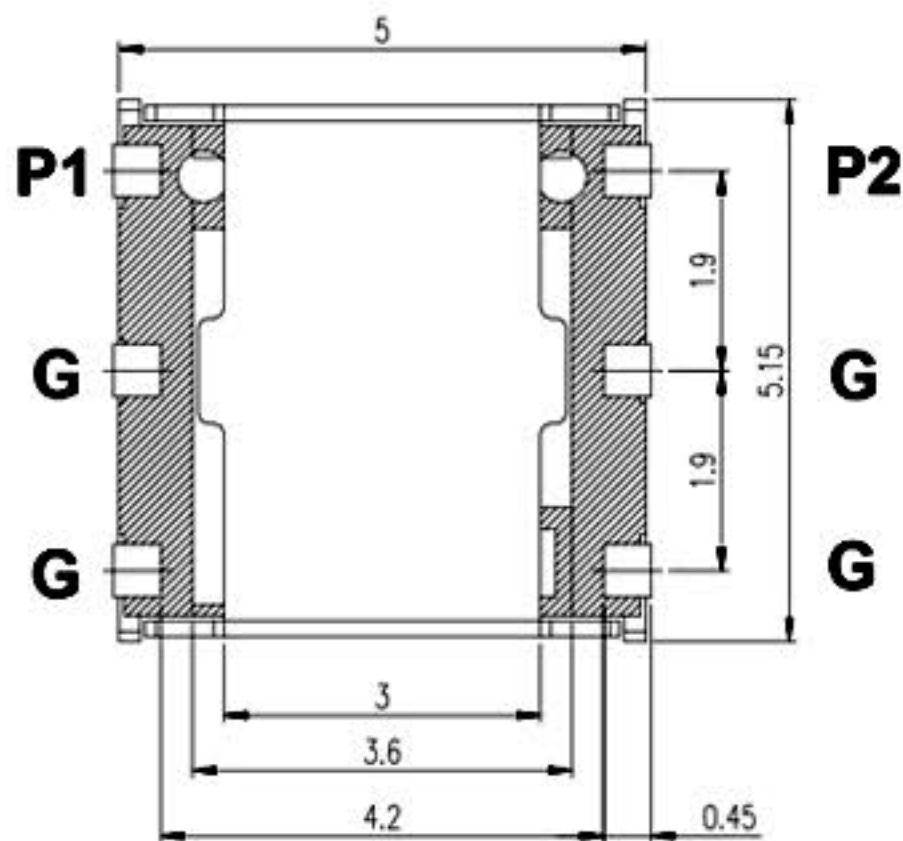


SMD ISOLATOR
 [P/N : IL05BL(R)A942AAE]



P1,P2 : IN/OUT Port
 G : Ground
 A942 : Version A 942.5MHz[fc]
 ●P01 :
 ●P01 L type [signal flow direction P1 → P2]
 P01● R type [signal flow direction P2 → P1]
 [or left side dot is L type,
 right side dot is R type]
 0 Year [2010]
 1 Month [January]
 (Oct,Nov,Dec denoted as O,N,D)



Scale : N/S
 Unit : mm
 Tolerance : ±0.2

ELECTRICAL SPECIFICATION	
Frequency Range	925 ~ 960 MHz
Operating Temp.	-35 ~ +85 °C
Insertion Loss	0.75 dB max. (At room temp.)
	0.80 dB max. (-35 ~ +85 °C)
Isolation	12 dB min.
VSWR	1.5 max.
Forward Power	5 W max.
Reverse Power	1 W max.

PART NUMBERING	
IL 05 B L(R) A 942 AA E	
IL	: Isolator Group
05	: Size [5*5*2.0t]
B	: Fabrication condition
L(R)	: Signal direction
A	: Version A
942	: Center frequency [942.5MHz]
AA	: Fabrication condition
E	: Embossed plastic reel
* RoHS Compliant(Lead Free)	
- Ver 1.0 (2011.02.01.)	