

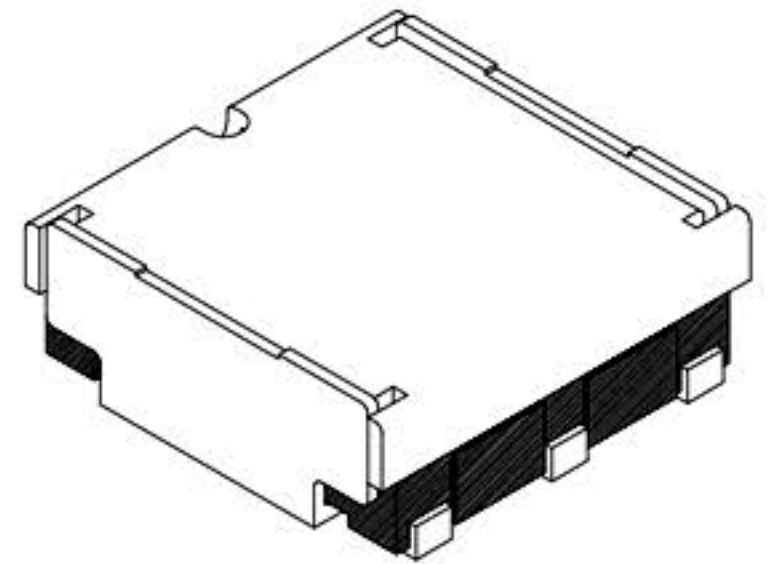
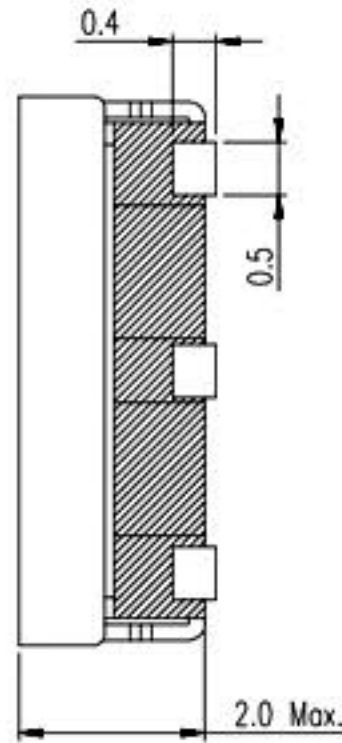
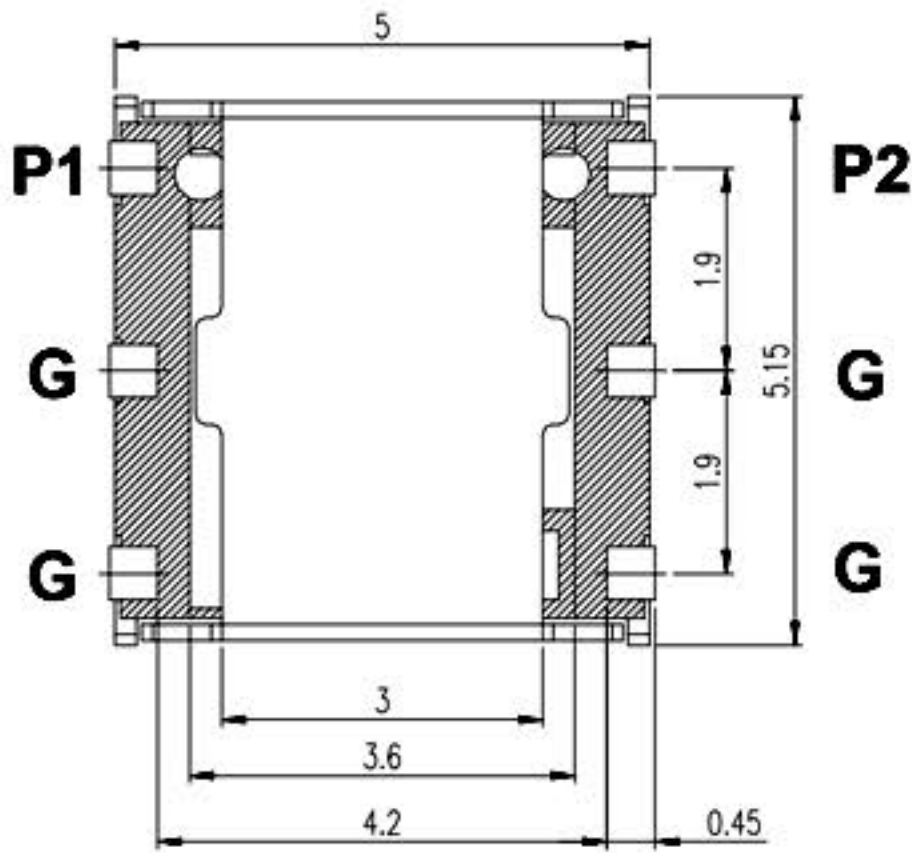
SMD ISOLATOR

[P/N : IL05BL(R)A902AAE]



P1,P2 : IN/OUT Port
G : Ground
A902 : Version A 902.5MHz[fc]
●P01 :
●P01 L type [signal flow direction P1 → P2]
P01● R type [signal flow direction P2 → P1]
 [or left side dot is L type,
 right side dot is R type]

0 Year [2010]
1 Month [January]
 (Oct,Nov,Dec denoted as **O,N,D**)



Scale : N/S
 Unit : mm
 Tolerance : ±0.2

ELECTRICAL SPECIFICATION	
Frequency Range	890 ~ 915 MHz
Operating Temp.	-35 ~ +85 °C
Insertion Loss	0.75 dB max. (At room temp.)
	0.80 dB max. (-35 ~ +85 °C)
Isolation	13 dB min.
VSWR	1.5 max.
Forward Power	5 W max.
Reverse Power	1 W max.

PART NUMBERING	
IL 05 B L(R) A 902 AA E	
IL	: Isolator Group
05	: Size [5*5*2.0t]
B	: Fabrication condition
L(R)	: Signal direction
A	: Version A
902	: Center frequency [902.5MHz]
AA	: Fabrication condition
E	: Embossed plastic reel
* RoHS Compliant(Lead Free)	
- Ver 1.0 (2011.03.02.)	