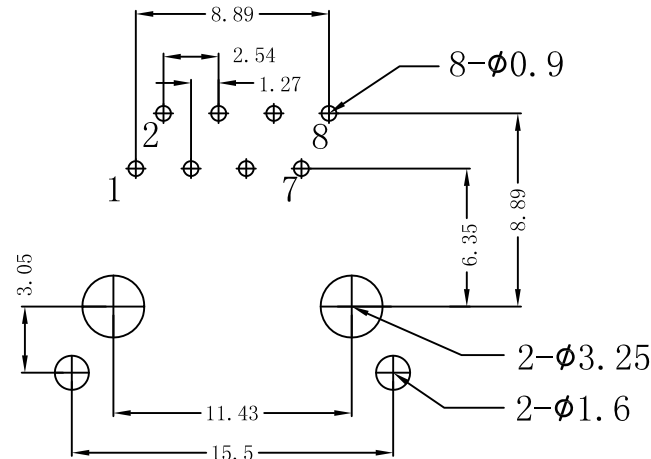
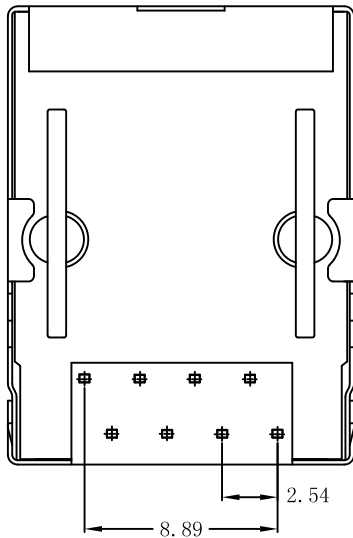
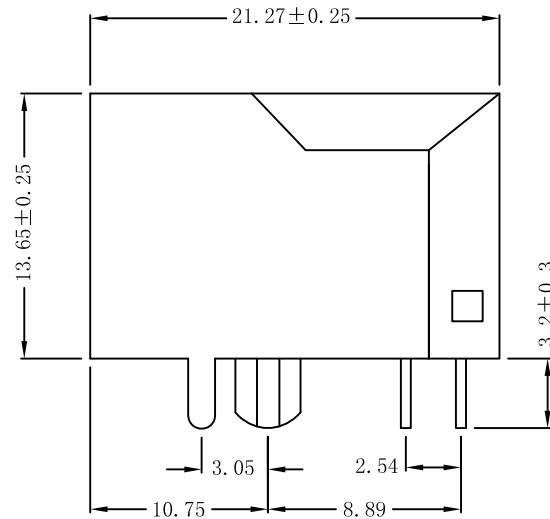
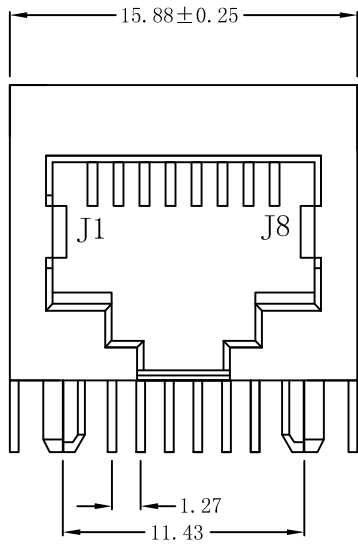


Mechanical :

REV.	ECN NO.	DESCRIPTION	DATE	APPD
A	REL		2010/06/28	



SUGGESTED PCB LAYOUT (TOP VIEW)



LPJEF111-ODNL

Gold Plating	"X"
1.5u"	1
3u"	2
6u"	3
15u"	4
30u"	5
50u"	6

NOTES:

Electrical:

- 1.Voltage Rating : 125VAC RMS
- 2.Current Rating : 1.5AMP
- 3.Contact Resistance : 50 M MAX
- 4.Insulation Resistance : 500 M Min @500V DC
- 5.Dielectric Strength : 1000VAC RMS 60HZ,1MIN

Mechanical:

- 1.Housing&Insert Material : PBT UL94V-0
- 2.Contact Material : Diameter 0.46mm Phosphor Bronze
Gold Plating Over Nickel
- 3.Shield : 0.20-0.25mm Thickness Brass
With Tin Plated
- 4.Operation Life : 750 Cycles Min

Environmental

- 1.Storage : -40 to +85
 - 2.Operation : -40 to +85
 - 3.Wave solder tip temperature: 265 Max, 5 Sec Max
- UL Certification : File Number E484635

X:X	±0.25	APPD:	LINK-PP INT'L TECHNOLOGY CO., LIMITED	
X:XX	±0.20	CHKD:	TITLE: RJ45 Connector	
X:XXX	±0.10	DR: C. H. Y	PART NO. : LPJEF111-ODNL	
ANGLES	±1°	UNIT: mm		
	SCALE: 2/1	SHEET: 1/1	REV: A	DWG NO. : LP10062805