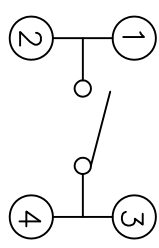


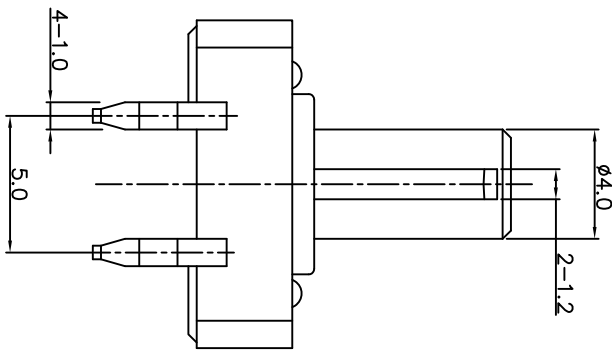
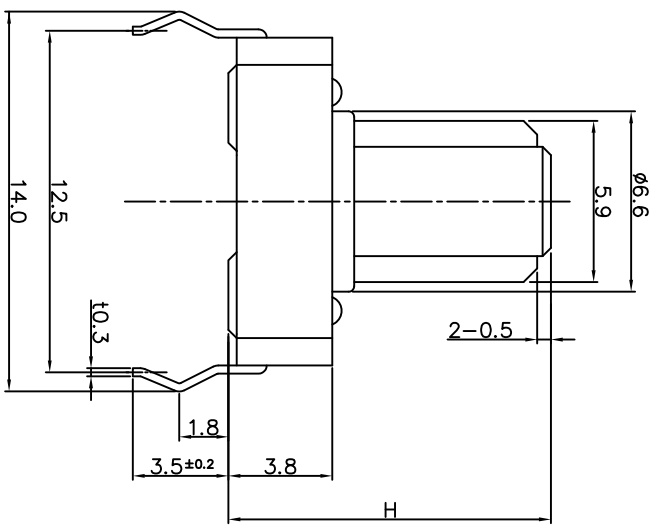
P.C.B MOUNTING HOLES



CIRCUIT DIAGRAM

STEM HEIGHT

MODEL	H(mm)
MST1103A	11.8
MST1103G	12.0



SPECIFICATION

1. RATING : DC 12V 50mA
2. TRAVEL : 0.3±0.1mm
3. CONTACT RESISTANCE : 100mΩ MAX.
4. BOUNCE : 10m SEC MAX.
- 5.

MODEL	OPERATING FORCE	LIFE CYCLES
MST1103A,G -1	130±50gf	300,000 CYCLE
MST1103A,G -2	160±50gf	300,000 CYCLE
MST1103A,G -3	250±50gf	100,000 CYCLE

PART NO.	MODEL	QTY	MATERIAL	SPECIFICATION	TREATMENT	REFERENCE	TRIGONOMETRY		APPROVAL	CHECK	DESIGN	USER	TITLE
							UNIT	SCALE					
							m/m	1/1					TACT SWITCH
													MST 1103A,G
													MST 1103A,G-0

TOLERANCE UNLESS OTHERWISE STATED(mm)

less than 10 _____ ±0.1
 10~30 _____ ±0.2
 30~100 _____ ±0.3
 ANGLE _____ ±2°

MARK	DATE	APPR.	CHECK	DESIGN