

6-18GHz 2-way Wilkinson Power Divider

PDW05758

DESCRIPTION

DLI's 6-18GHz 2-way power divider / combiner offers unmatched size and performance in a surface mount configuration. This power divider utilizes DLI's low loss temperature stable materials which offer small size and minimal performance variation over temperature.

FEATURES

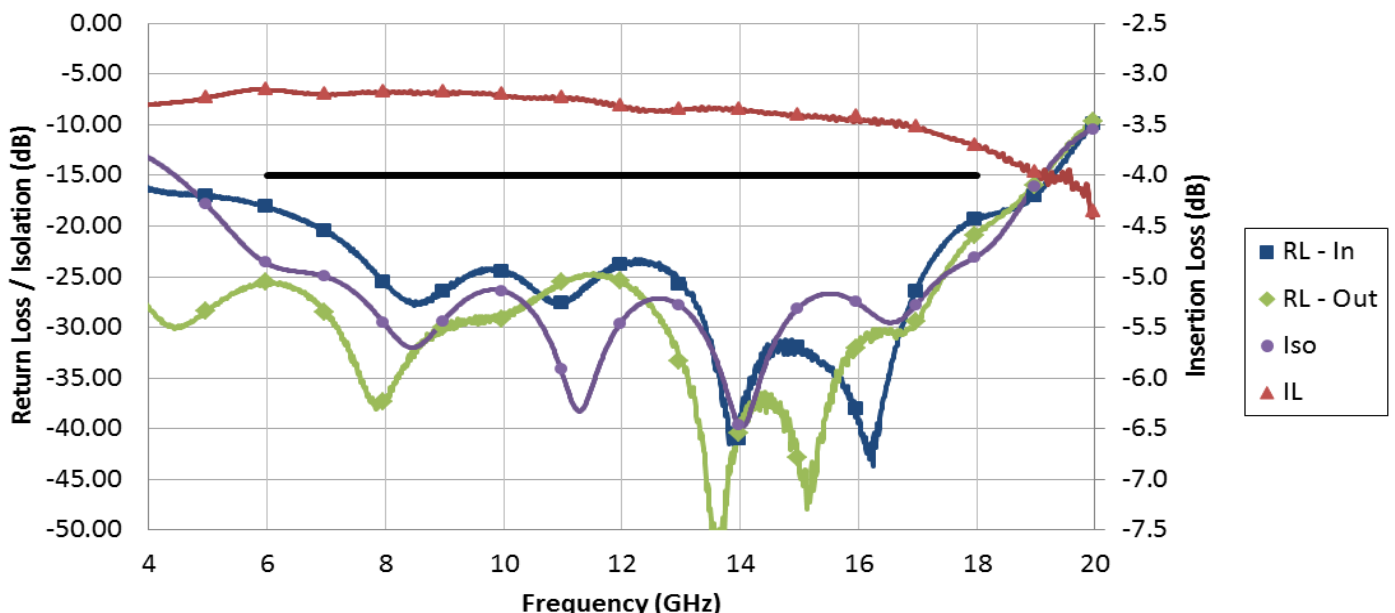
- Small Size
- Frequency Stable over Temperature
- Solder Surface Mount Package
- Excellent Repeatability
- Moisture Sensitivity Level: MSL 1
- Operating & Storage Temp: -55°C to +125°C
- Characteristic Impedance: 50Ω

SPECIFICATIONS*

Parameter	Frequency Range (GHz)	Min	Typ.	Max	
Nominal Power Splitting (dB)	6 - 18		3.0		
Nominal Phase Shift (Deg)			0.0		
Amplitude Balance (dB)					± 0.025
Phase Balance (Deg)					± 3.0
Excess Insertion Loss (dB)				0.7	
Return Loss (dB)				20	
Isolation (dB)				20	
Power (W)					TBD

*Electrical specifications based on typical mounted performance at room temperature. Insertion loss shall vary ±0.5dB over temperature.

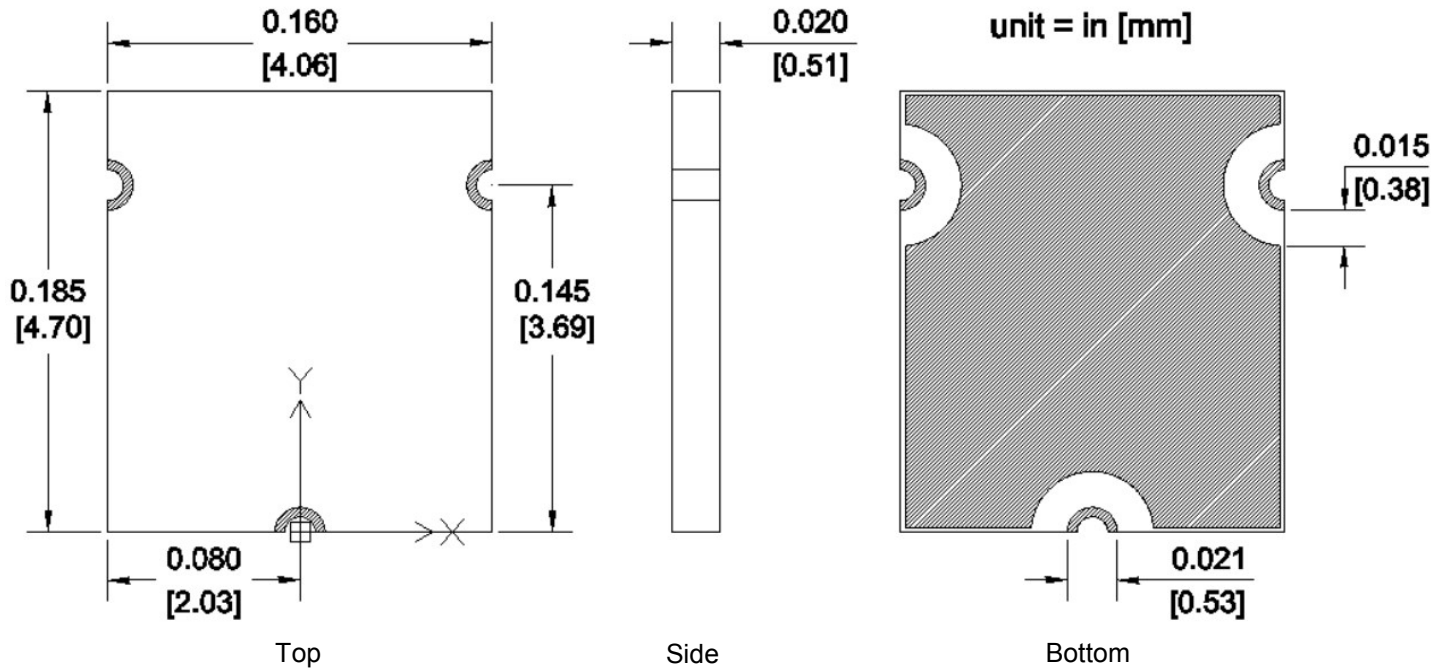
Typical Measured Performance



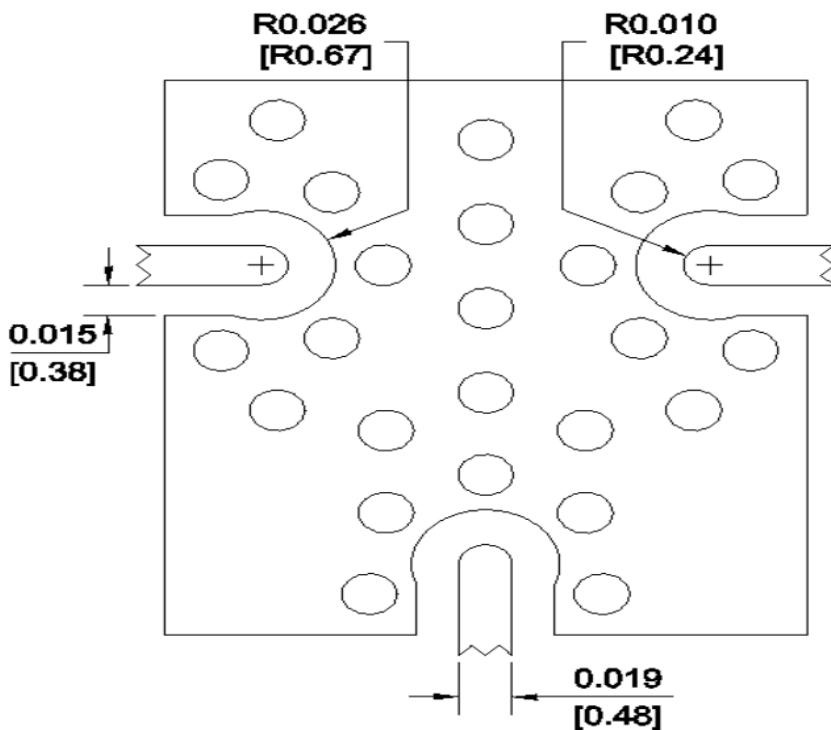
6-18GHz 2-way Wilkinson Power Divider

PDW05758

Physical Dimensions



Recommended PCB Layout



- 50Ω trace dimensions are application specific.
- Ensure adequate grounding beneath the part.

